

## Neo-Dyn® Series 200P Pressure Switch/Internal Adjustment

Versatile Nega-Rate® Belleville disc spring pressure switch for use in hazardous areas. Series 200P (piston sensor) for hydraulic applications up to 10000 psig system pressure.

### Operating Pressure Data

Adjustable Range Number	Adjustable Set Point Range		Deadband† (approximate)				Maximum Recommended System Pressure	Proof Pressure
	Increasing	Decreasing	Min.	Bar	Max.	Bar		
2	20 to 220	14 to 202	6	0.41	18	1.24	3000	4500
3	200 to 1500	150 to 1275	50	3.45	225	15.51	7500	10000
6	500 to 3000	375 to 2700	125	8.62	300	20.68	7500	10000
8	1000 to 10000	800 to 9000	200	13.79	1000	68.95	10000*	15000**

All values given in psig.

†The deadband increases as the adjustable set point is increased.

\*Diminished safety factor equal to approximately 2:1.

\*\*Diminished safety factor equal to approximately 1.3:1.

### Standard Specifications

#### Electrical

Snap action electrical switch assembly listed by Underwriters' Laboratories, Inc., Factory Mutual and CSA International

#### Electrical Connection

1/2 NPT male conduit connection with PVC insulated 18 AWG, 18" long leads

#### Pressure Connection

Wetted Material 1  
1/4 NPT Female

#### Temperature Range\*

Ambient: -40°F to +180°F  
(-40°C to +82°C)  
Media: -40°F to +300°F  
(-40°C to +149°C)

\*Temperature limits change with O-Ring selection. See Electrical Assembly specification sheet for Temperature Class Ratings.

#### Adjustment

Concealed wrench flat adjustment with range scale

#### Shipping Weight

Approximately 3 pounds



Order Miscellaneous Option "D"



### Ordering Sequence — Select desired option for each category

#### OPTIONS

##### Wetted Material

**1** Aluminum port and piston, Teflon seal and Buna-N O-Ring

##### Adjustable Range

**2** 14 psig dec. to 220 psig inc. (1.0 bar dec. to 15.2 bar inc.)  
**3** 150 psig dec. to 1500 psig inc. (10.3 bar dec. to 103.4 bar inc.)  
**6** 375 psig dec. to 3000 psig inc. (25.9 bar dec. to 206.9 bar inc.)  
**8** 800 psig dec. to 10000 psig inc. (55.2 bar dec. to 689.5 bar inc.)

##### Electrical Form

**C** 11 amp, 1/4 hp at 125 or 250 VAC; 5 amp resistive, 3 amp inductive at 28 VDC; .5 amp resistive at 125 VDC  
**CC** 11 amp, 1/4 hp at 125 or 250 VAC; 5 amp resistive, 3 amp inductive at 28 VDC; .5 amp resistive at 125 VDC

##### Enclosure

**6** Explosion proof, hermetically-sealed electrical assembly, EX d IIC. Part Numbers 057-0770 & 057-0772 (Form C) and 057-0771 & 057-0773 (Form CC). Agency listings include **Underwriters Laboratories, Inc.**, **CSA International**, **Factory Mutual**, and **Inmetro**. Division 1 and 2, Class I, Groups A, B, C, and D; Class II, Groups E, F, and G. NEMA 4X, 7, and 9; IP66. Leads are factory sealed and Pressure Switches are Dual Seal Certified.

##### Miscellaneous

**A** Epoxy paint exterior — extra protection for severe environments  
**B** Viton O-Ring  
**C** EPR O-Ring  
**D** SIL approval and marking, per IEC61508 (includes FMEA report)  
**E** 7/16" - 20 SAE Female Port  
**I** 3/4 NPT conduit box with terminal strip (Groups C & D only, not available with N option)  
**M** Gold electrical contacts for extremely low current applications  
**N** ATEX and IECEx with CE Mark  
**R** 72" Electrical free leads  
**W** Stainless steel screws — exterior

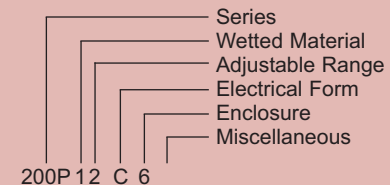
#### Special (Consult representative or factory)

- Non-catalog adjustable range and/or set point, deadband and proof pressure
- Media temperature capability from -65°F to +400°F

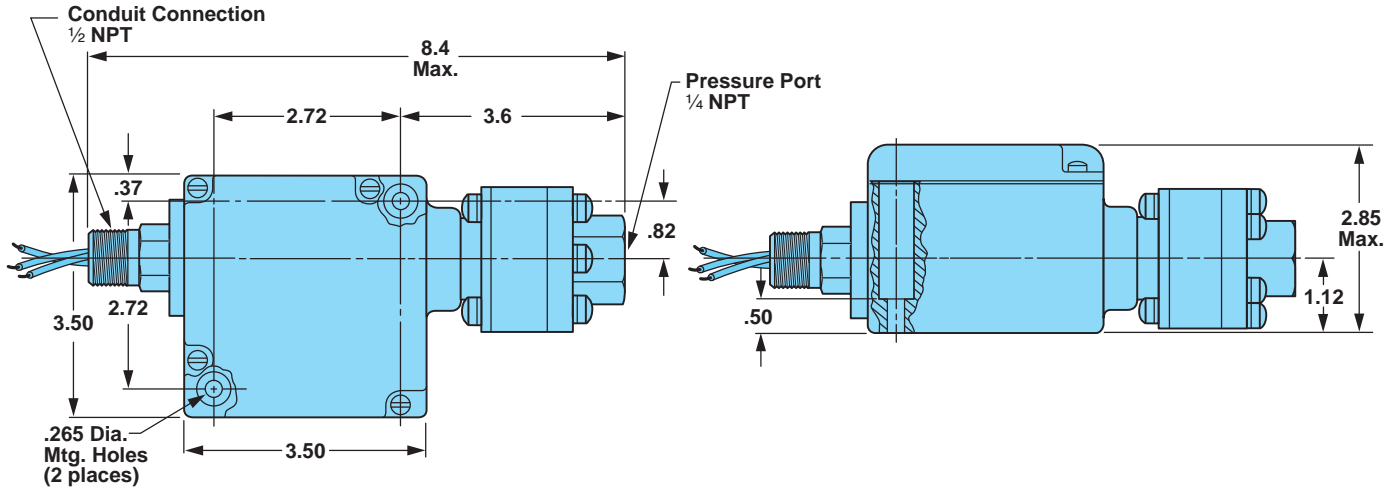
### Ordering Procedure

- When factory presetting is desired, stipulate set point, increasing or decreasing
- Insert available option number or letter designation as required

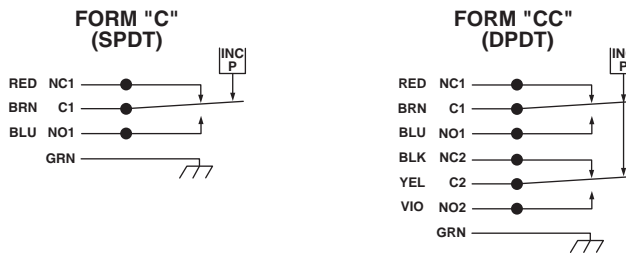
### Example



Envelope Dimensions



Electrical Form



Basic Principles of Design

